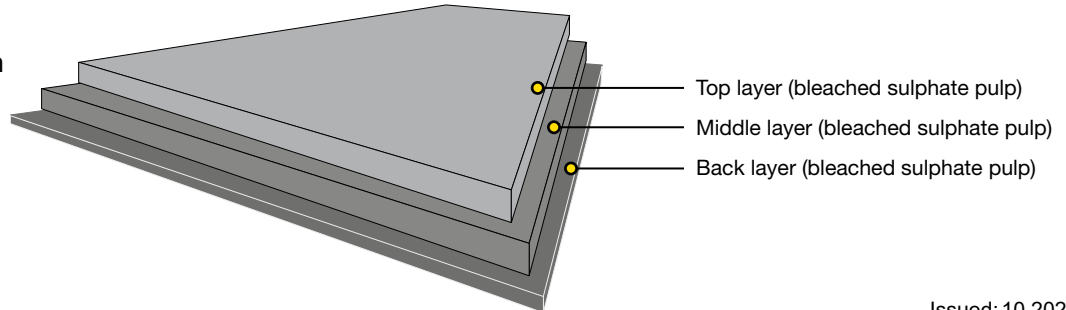


Bleached liquid packaging board

Prime is a bleached liquid packaging board with a three-layer fibre construction made of solid bleached sulphate pulp.



Issued: 10.2022
Cancels: 02.2021

Technical specification from Imatra BM4; Prime

Property / Unit

Grammage, g/m ²	230	248	300	310	ISO 536
Thickness, µm	300	330	400	420	ISO 534
Bending resistance L&W 15° MD, mN	200	265	460	535	ISO 2493
Bending resistance L&W 15° CD, mN	75	100	190	200	
Bending resistance L&W GM, mN	122	163	296	327	
Bending moment Taber 15° MD, mNm	9.7	12.8	22.2	25.8	ISO 2493
Bending moment Taber 15° CD, mNm	3.6	4.8	9.2	9.7	
Bending moment Taber GM, mNm	5.9	7.9	14.3	15.8	
Moisture, %	6.8	6.6	6.5	6.5	ISO 287
Brightness D65/10°, top, %	83	83	83	83	ISO 2470-2
Smoothness (Bendtsen), top, ml/min	250	250	350	350	ISO 8791-2
Scott Bond, J/m ²	280	280	280	280	TAPPI 569
Raw edge penetration, 1% lactic acid 4°C/24h, kg/m ²	0.9	0.9	0.9	0.9	Mill method



Prime™ Board

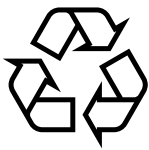
Bleached liquid packaging board

Certificates

Quality management ISO 9001
Environmental management ISO 14001
Product safety FSSC 22000
Occupational health and safety ISO 45001
Energy management ISO 50001



FSC and PEFC certified board available upon request.



Paperboard is recyclable

Key characteristics and main enduses

Stora Enso Prime has been specially developed to meet preferences in certain markets for a liquid packaging board. Its durability and high quality are enhanced by the structure that is entirely based on solid bleached sulphate pulp (SBS). Like all Stora Enso liquid packaging board qualities, it has an exceptionally high standard of odour and taint neutrality, which makes it especially suitable for packaging sensitive food products and keeping them fresh and hygienic, unchanged and untainted for their entire lifetime.

Storage recommendations

For optimal printing results, the moisture proof wrapping should not be removed until the board has reached the temperature of the press room.

Pallet/Reel Weight (kg)	Difference in temperature between board and press room (press room temp. approx. 20°C)		
	10°C	20°C	30°C
400 kg	2 days	2 days	3 days
800 kg	2 days	3 days	4 days
1200 kg	2 days	4 days	5 days

The product properties, according to the specifications, are guaranteed for 12 months after the production date. In order to ensure product safety, the product must be well wrapped and stored indoors, sheltered from rain and snow. The recommended storage conditions are 50-55% relative humidity and 20-23°C.