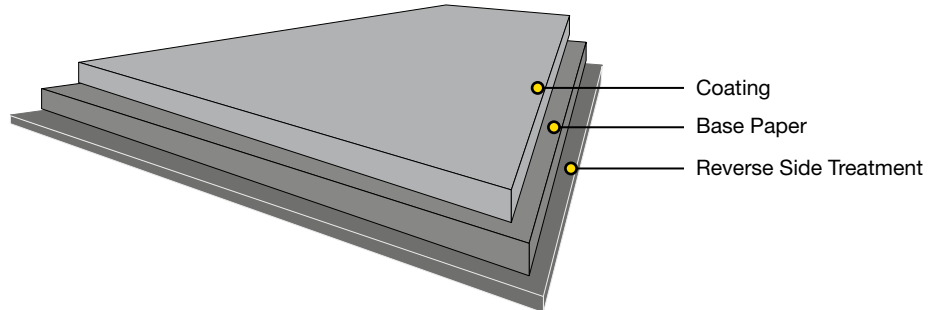


One-side coated woodfree flexible packaging paper

LumiLabel Aqua is a one-side-coated, wood-free flexible packaging paper.



Issued: 06.2018
Cancels: 07.2017

Technical specification

Property / Unit	Tolerance				Standards
	±4%	70	75	80	
Grammage, g/m ²	±4%	70	75	80	ISO 536
Thickness, μm	±5	64	68	73	ISO 534
Brightness D65/10, %, CS	±3	97	97	97	ISO 2470-2
Tensile strength, dry, kN/m, MD	±1.3	5.6	5.9	6.2	ISO 1924-3
Tensile strength, wet, kN/m, MD	±0.3	0.6	0.6	0.6	ISO 3781
Surface Smoothness, PPS 10, μm, CS	±0.3	1.00	1.00	1.00	ISO 8791-4
Gloss 75°, %, CS	±3	62	62	62	ISO 8254-1
Cobb, reverse side, g/m ²	±6	20	20	20	ISO 535
Opacity, %	±3	87	88	89	ISO 2471

OBA-containing for high brightness.



LumiLabel™ Aqua

One-side coated woodfree flexible packaging paper

Certificates

- Quality management ISO 9001
- Environmental management ISO 14001
- Product safety ISO 22000
- Health and safety OHSAS 18001
- Energy management ISO 50001



FSC and PEFC certified paper available upon request.



Paperboard is recyclable

Key characteristics and main enduses

LumiLabel Aqua is a flexible packaging paper specially designed for partial wet strength label applications for water and beverage bottles (PET) and wrap-around labelling.

Storage recommendations

For optimal printing results, the moisture proof wrapping should not be removed until the paper has reached the temperature of the press room.

Pallet/Reel Weight (kg)	Difference in temperature between paper and press room (press room temp. approx. 20°C)		
	10°C	20°C	30°C
400 kg	2 days	2 days	3 days
800 kg	2 days	3 days	4 days
1200 kg	2 days	4 days	5 days

