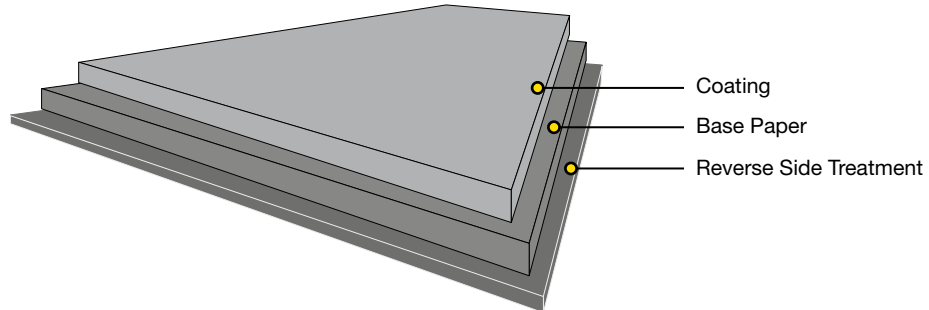


One-side coated woodfree flexible packaging paper

LumiLabel G is a very white and bright, one-side-coated and wood-free flexible packaging paper.



Issued: 07.2017
Cancels: 06.2015

Technical specification

Property / Unit	Tolerance					Standards
	±4%	70	80	90	ISO 536	
Grammage, g/m ²	±4%	65	70	80	90	ISO 536
Thickness, μm	±5	58	62	72	82	ISO 534
Brightness D65/10, %, CS	±3	97	97	97	97	ISO 2470-2
Tensile strength, kN/m, MD AS	±1.3	5.6	5.6	6.2	6.8	ISO 1924-3
Tearing resistance, mN, CD PS	±100	425	450	500	600	ISO 1974
Surface smoothness, PPS 10, μm, CS	±0.3	0.90	0.90	0.90	0.90	ISO 8791-4
Gloss 75°, %, CS	±3	68	70	70	70	ISO 8254-1
Opacity, %	±3	82	86	89	91	ISO 2471

OBA-containing for high brightness.

One-side coated woodfree flexible packaging paper

Certificates

Quality management ISO 9001
 Environmental management ISO 14001
 Product safety ISO 22000
 Health and safety OHSAS 18001
 Energy management ISO 50001



FSC and PEFC certified paper available upon request.



Paper is recyclable

Key characteristics and main enduses

LumiLabel G is a flexible packaging paper with particularly high brightness and gloss. It is highly suited for rotogravure and flexographic printing and is used in both food packaging and non-food packaging. It is suitable for coffee wrapping, soup pouch, flat bag, pet food bag and sugar sachet, for example.

Storage recommendations

For optimal printing results, the moisture proof wrapping should not be removed until the paper has reached the temperature of the press room.

Pallet/Reel Weight (kg)	Difference in temperature between paper and press room (press room temp. approx. 20°C)		
	10°C	20°C	30°C
400 kg	2 days	2 days	3 days
800 kg	2 days	3 days	4 days
1200 kg	2 days	4 days	5 days

The product properties, according to the specifications, are guaranteed for 12 months after the production date. In order to ensure product safety, the product must be well wrapped and stored indoors, sheltered from rain and snow. The recommended storage conditions are 50-55% relative humidity and 20-23° C.

