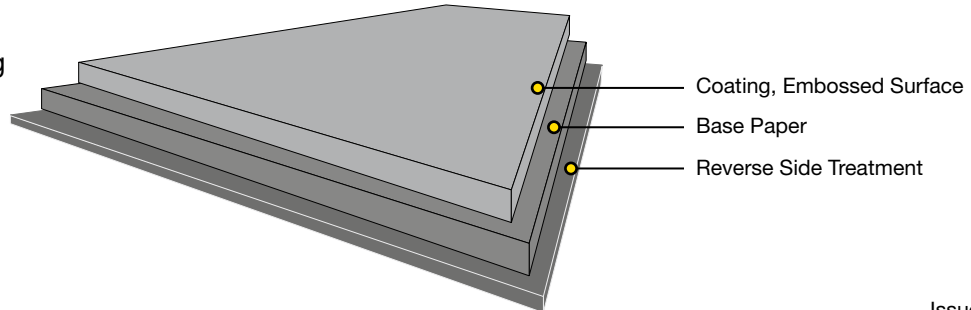


# LumiLabel™ Linen

## One-side coated woodfree flexible packaging paper

LumiLabel Linen is a one-side-coated, very white and wood-free flexible packaging paper.



Issued: 07.2017  
Cancels: 07.2015

### Technical specification

Property / Unit						Standards
Grammage, g/m <sup>2</sup>	70	80	90	97	110	ISO 536
Thickness, μm	68	76	86	93	105	ISO 534
Brightness D65/10, %, CS	97	97	97	97	97	ISO 2470-2
Tensile strength, kN/m, MD	5.4	6.0	6.6	7.0	7.1	ISO 1924-3
Tearing resistance, mN, CD	400	450	550	600	650	ISO 1974
Surface smoothness, PPS 10, μm, CS	4.50	4.50	4.50	4.50	4.50	ISO 8791-4
Gloss 75°, %, CS	40	40	40	40	40	ISO 8254-1
Opacity, %	87	89	91	92	94	ISO 2471

OBA-containing for high brightness.



# LumiLabel™ Linen

One-side coated woodfree flexible packaging paper

## Certificates

- Quality management ISO 9001
- Environmental management ISO 14001
- Product safety ISO 22000
- Health and safety OHSAS 18001
- Energy management ISO 50001



FSC and PEFC certified paper available upon request.



Paper is recyclable

## Key characteristics and main enduses

LumiLabel Linen is a flexible packaging paper with a beautiful, embossed surface and high brightness for rotogravure, flexographic or offset printed packaging. It is a sustainable packaging material used in premium food packaging as well as in non-food packaging. LumiLabel Linen is suitable for non-wet strength label applications, wrappers, bags and pouches. It is also used in applications with extrusion or adhesive lamination.

## Storage recommendations

For optimal printing results, the moisture proof wrapping should not be removed until the paper has reached the temperature of the press room.

Pallet/Reel Weight (kg)	Difference in temperature between paper and press room (press room temp. approx. 20°C)		
	10°C	20°C	30°C
400 kg	2 days	2 days	3 days
800 kg	2 days	3 days	4 days
1200 kg	2 days	4 days	5 days

The product properties, according to the specifications, are guaranteed for 12 months after the production date. In order to ensure product safety, the product must be well wrapped and stored indoors, sheltered from rain and snow. The recommended storage conditions are 50-55% relative humidity and 20-23° C.

